

REV. **A**

PART No. **R2330H05**

CHECKED **FC**

APPROVED **GS / 2-20**


DATE **2-20-07**

DRAWN **KOP**

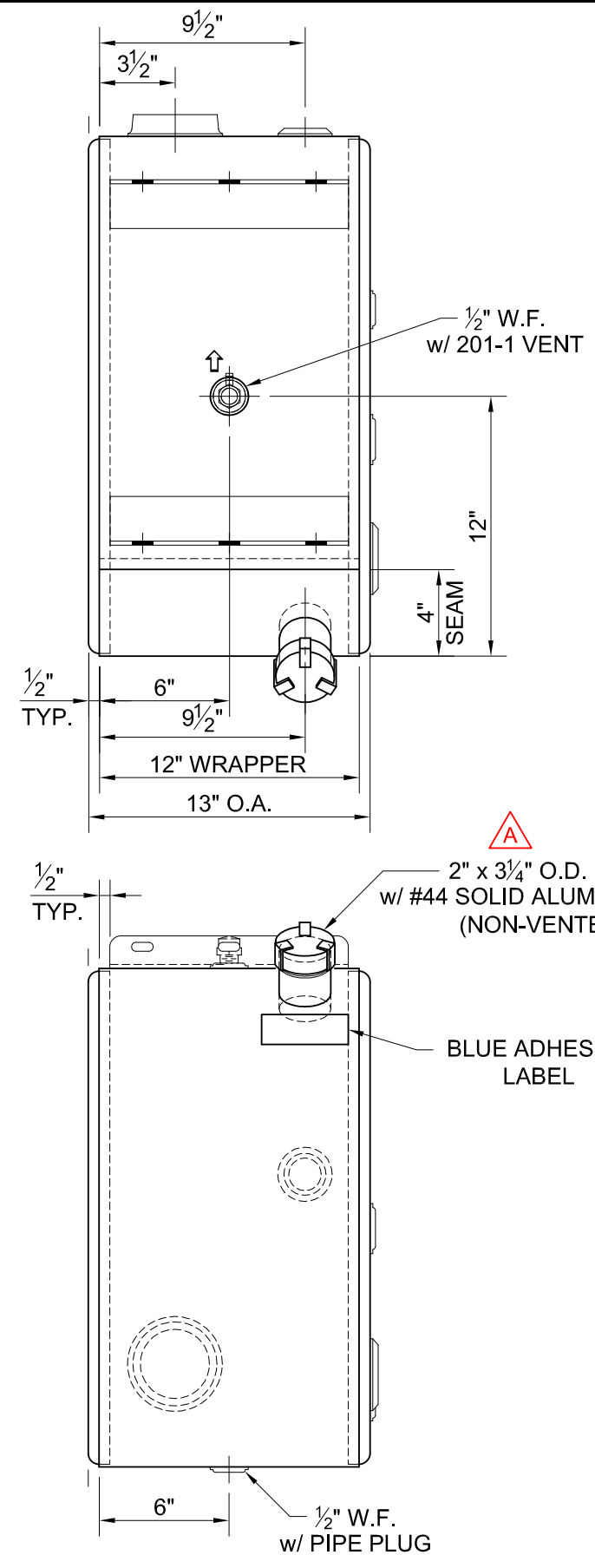
CUSTOMER **RIV-R2330H05-01**

DWG No.

**SouthTowns Specialties, LLC**



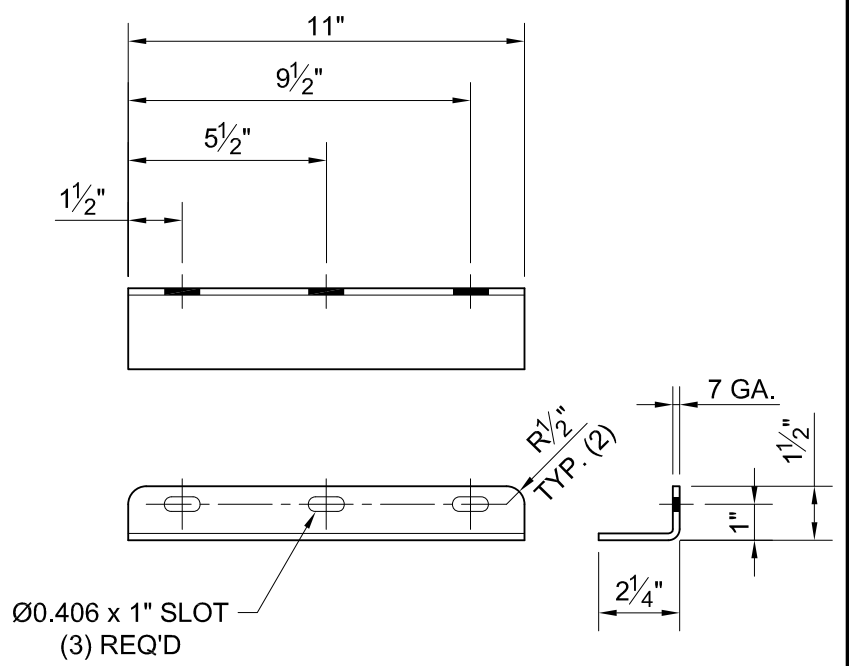
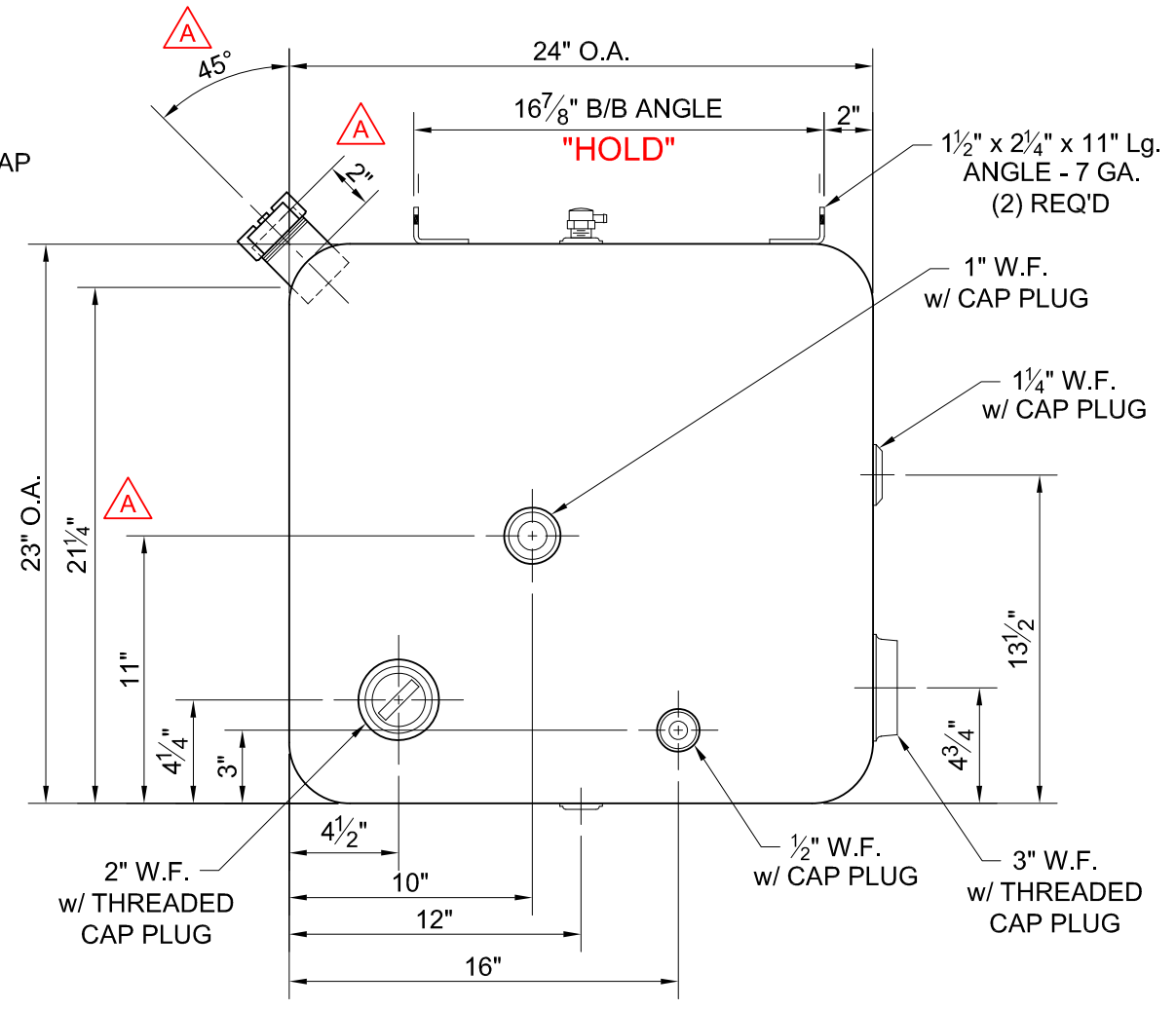
DWG. LEVEL	PART REV.	DESCRIPTION	BY	DATE	APPROVED
00	-	INITIAL RELEASE	KOP	2-20-07	-
01	A	FILL WAS: @ 30°, 1¼" OUT, 21½" TO BTM. & 2¼" Lg. FILL	KOP	2-27-07	-



**NOTE:**  
GRIND "DIESEL & FUEL" OFF OF CAP

**NOTE:**  
DOG HOUSE BAFFLE NOT REQ'D

- NOTES:**
- 1.) FINISH - **BLACK PRIMER 60/80 GLOSS**
  - 2.) STENCIL w/ PART No. - **R2330H05**
  - 3.) TOLERANCE: ± 1/4" OUTSIDE DIMENSIONS  
± 1/8" UNLESS NOTED OTHERWISE
  - 4.) STAMP BLUE LABEL with PART No, REV, MFG. DATE



**ANGLE DETAIL**  
(2) REQ'D

THE INFORMATION CONTAINED IN THIS DRAWING IS THE SOLE PROPERTY OF THE MANUFACTURER. ANY REPRODUCTION IN PART OR AS A WHOLE WITHOUT THE WRITTEN PERMISSION OF THE MANUFACTURER IS PROHIBITED.

WEIGHT - lbs	PART No.	REV.
CAPACITY 30 gal	<b>R2330H05</b>	<b>A</b>