

REV. **B**

PART No. **R2404705**

CUSTOMER **SouthTowns Specialties, LLC**

DATE **6-28-06**

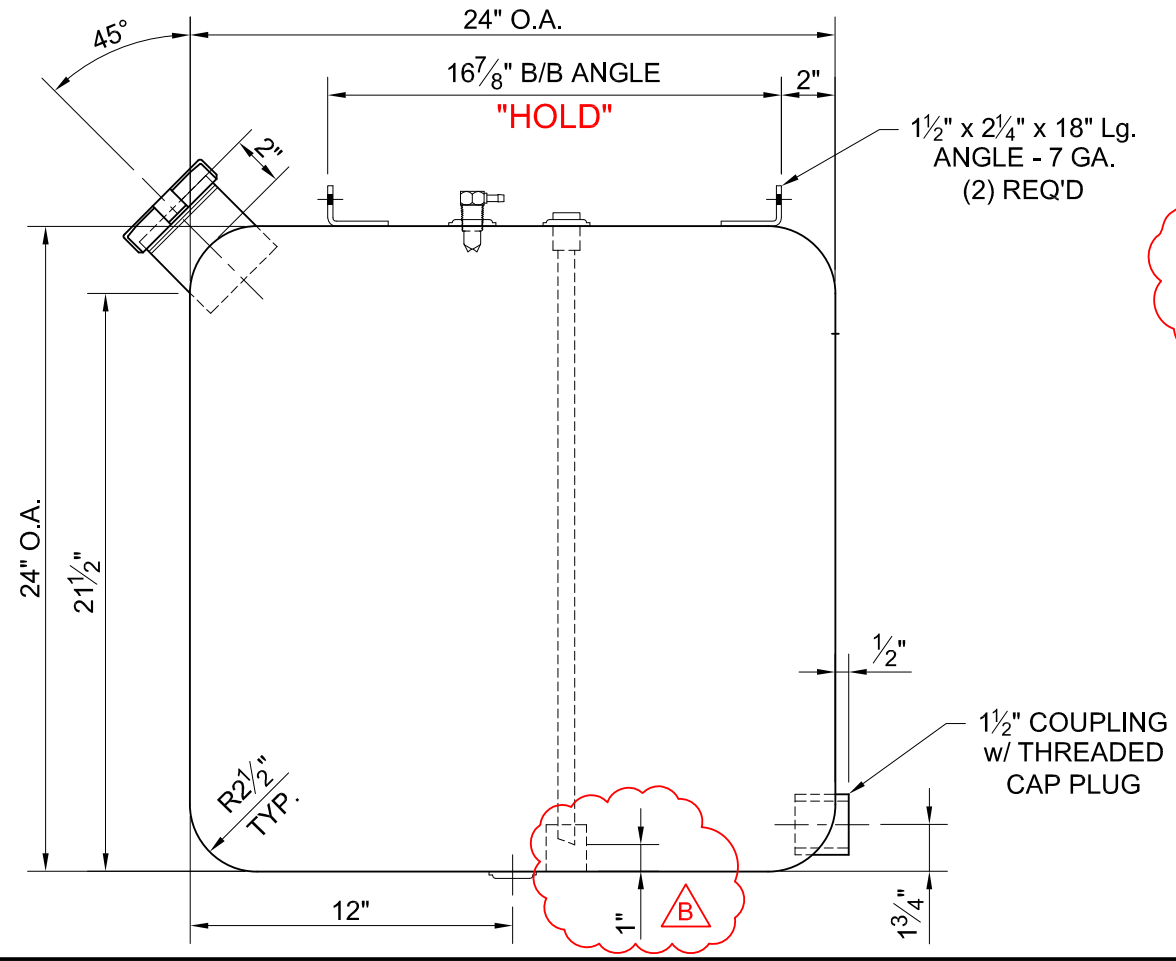
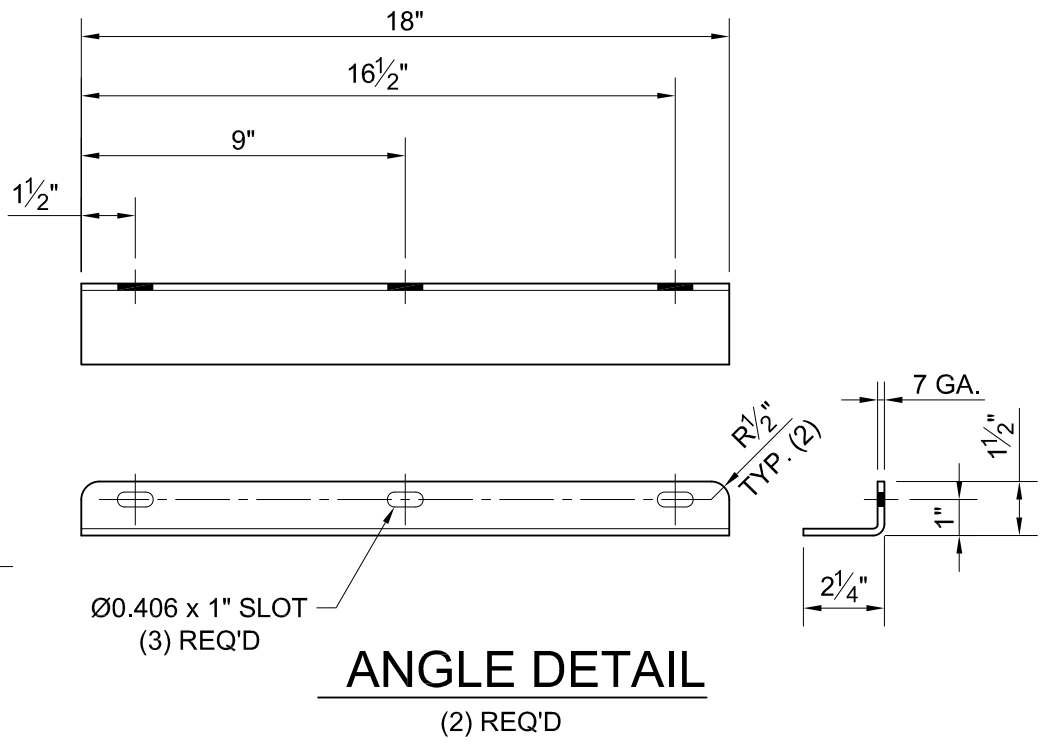
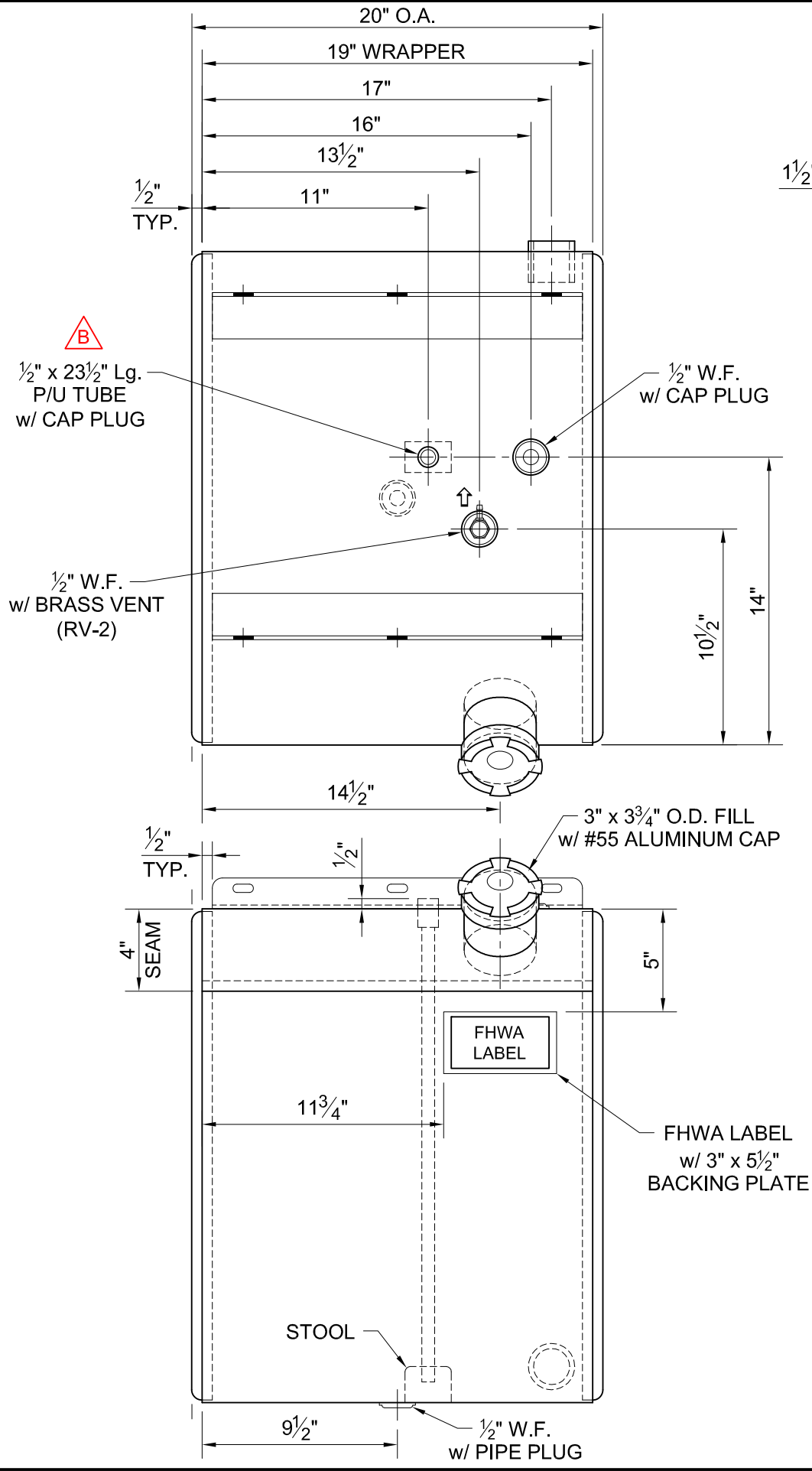
DWG No. **RIV-R2404705-02**

APPROVED **FC/6-29**

CHECKED **FC**

DRAWN **KOP**

DWG. LEVEL	PART REV.	DESCRIPTION	BY	DATE	APPROVED
00	-	INITIAL RELEASE	KOP	6-28-06	-
01	A	FILL WAS: @ 30°, 1 1/4" OUT & 22 1/4" TO BTM.	KOP	2-27-07	-
02	B	P/U TUBE WAS 24" Lg.	KOP	8-29-07	-



- NOTES:**
- 1.) FINISH - **BLACK PRIMER 60/80 GLOSS**
 - 2.) STENCIL w/ PART No. - **R2404705**
 - 3.) TOLERANCE: ± 1/4" OUTSIDE DIMENSIONS ± 1/8" UNLESS NOTED OTHERWISE
 - 4.) STAMP FHWA LABEL with PART No, REV, MFG. DATE, CAPACITY & **NON-SIDE MOUNTED**

NOTE:

NO "BURGLE" BAFFLE REQ'D

THE INFORMATION CONTAINED IN THIS DRAWING IS THE SOLE PROPERTY OF THE MANUFACTURER. ANY REPRODUCTION IN PART OR AS A WHOLE WITHOUT THE WRITTEN PERMISSION OF THE MANUFACTURER IS PROHIBITED.

WEIGHT 94 lbs	PART No. R2404705	REV. B
CAPACITY 47 gal		