

REV. **B**

PART No. **R2408304**

CUSTOMER **SouthTowns Specialties, LLC**

APPROVED **FC / 6-30**

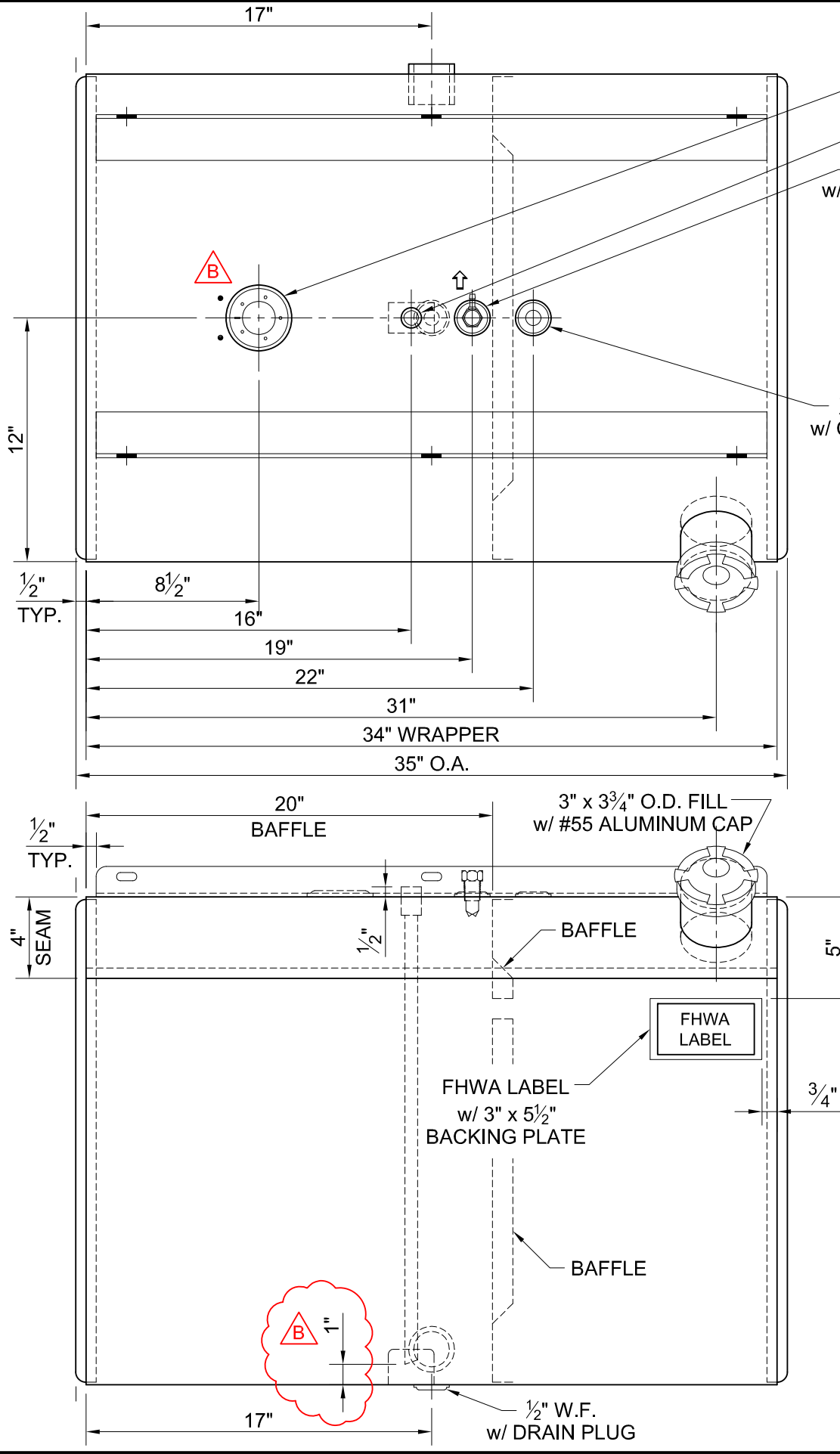
CHECKED **FC**

DATE **6-30-06**

DRAWN **KOP**

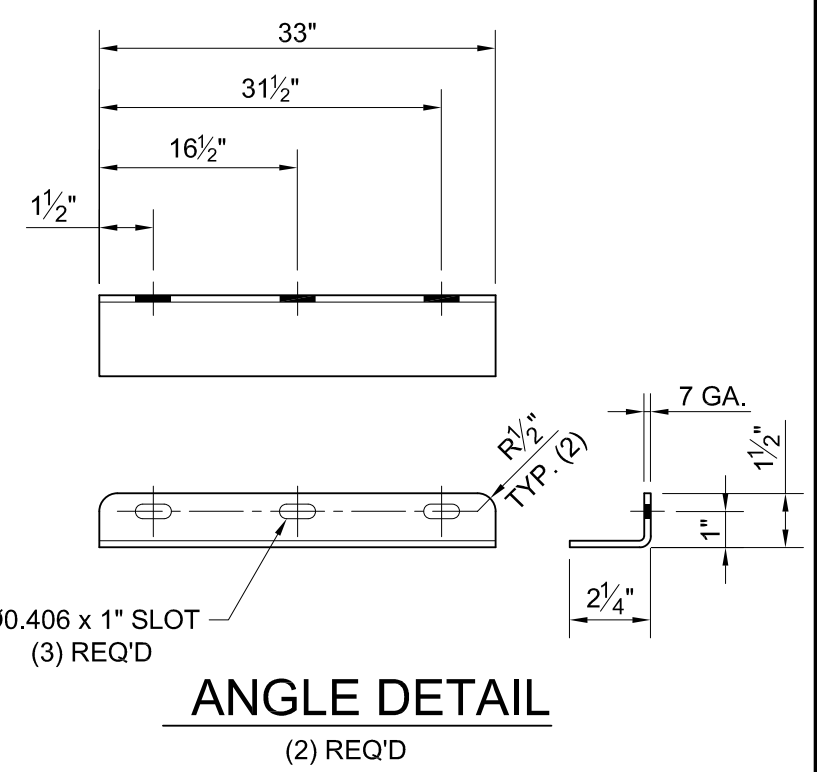
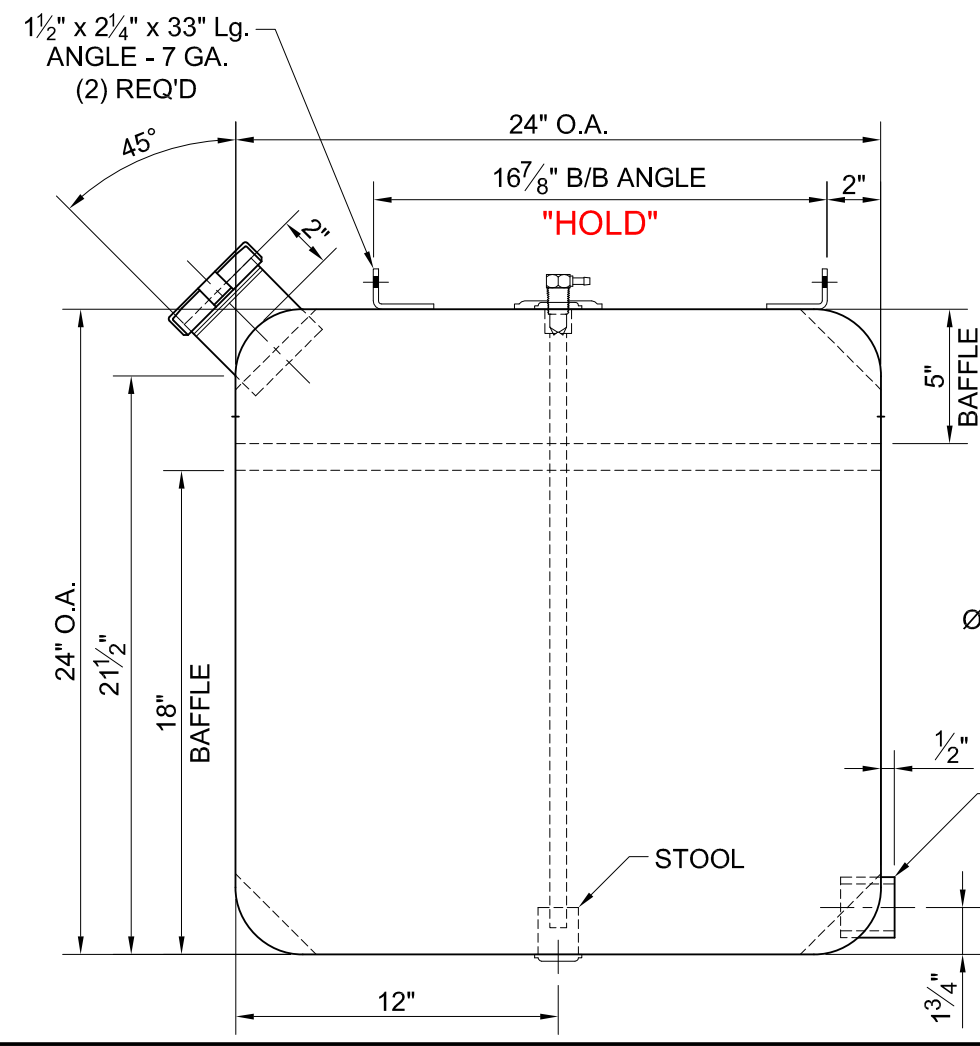
DWG No. **RIV-R2408304-02**

| DWG. LEVEL | PART REV. | DESCRIPTION | BY | DATE | APPROVED |
|------------|-----------|---|-----|---------|----------|
| 01 | A | RELOCATED SENDING UNIT FLANGE - WAS 12 1/2" | KOP | 2-27-07 | - |
| 02 | B | ROTATED SENDING UNIT 90° / P/U TUBE WAS 24" Lg. | KOP | 8-29-07 | - |



NOTE:
NO "BURGLE" BAFFLE REQ'D

- NOTES:**
- 1.) FINISH - **BLACK PRIMER 60/80 GLOSS**
 - 2.) STENCIL w/ PART No. - **R2408304**
 - 3.) TOLERANCE: $\pm 1/4$ " OUTSIDE DIMENSIONS
 $\pm 1/8$ " UNLESS NOTED OTHERWISE
 - 4.) STAMP FHWA LABEL with
PART No, REV, MFG. DATE & CAPACITY
 - 5.) SIDE MOUNTED TANK



ANGLE DETAIL
(2) REQ'D

THE INFORMATION CONTAINED IN THIS DRAWING IS THE SOLE PROPERTY OF THE MANUFACTURER. ANY REPRODUCTION IN PART OR AS A WHOLE WITHOUT THE WRITTEN PERMISSION OF THE MANUFACTURER IS PROHIBITED.

| | | |
|--------------------|-----------------------------|------------------|
| WEIGHT 151 lbs | PART No. R2408304 | REV. B |
| CAPACITY 83 gal | | |